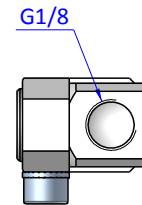
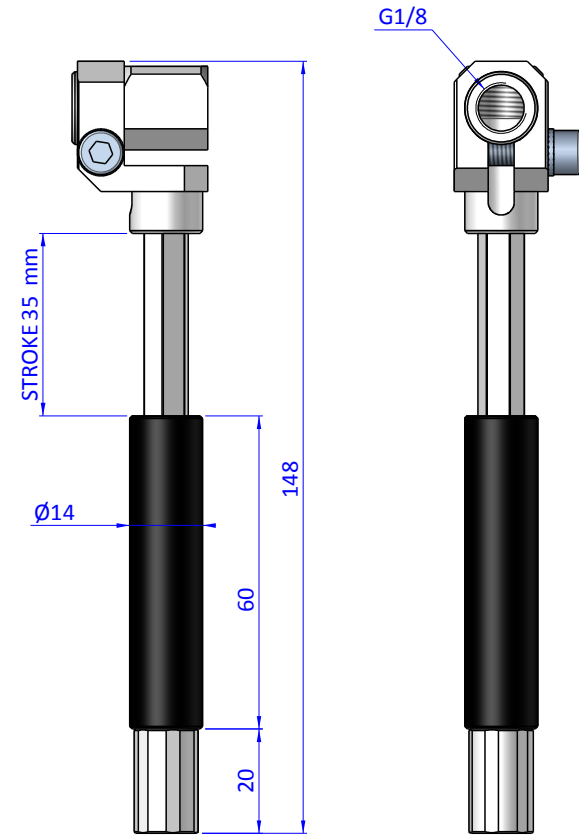
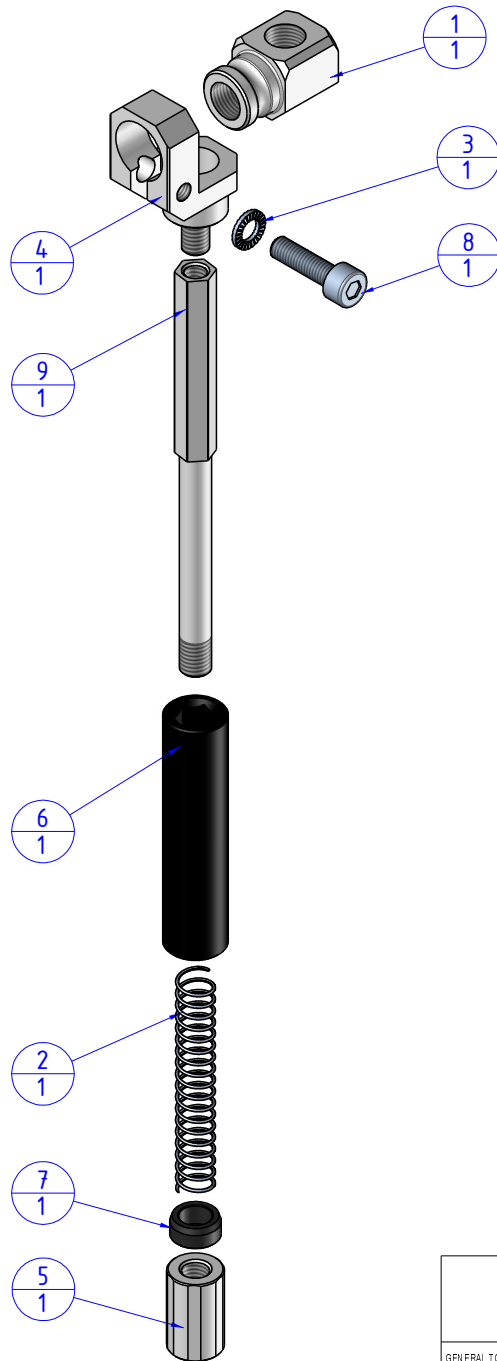


THE PROPERTY OF THE DRAWING IS ESTABLISHED BY LAW. IT IS FORBIDDEN TO PRODUCE OR SHOW IT TO THIRD PARTY, WITHOUT A WRITTEN AGREEMENT.

Object Number	Name	QTY
1	GGB.14.18.18	1
2	M.8.5X48.50.1	1
3	R.5.SCH	1
4	SSN.14201818.1	1
5	VSN.14.1	1
6	VSN.1435.2.1	1
7	VSN.1420.3	1
8	V.TCE5x18	1
9	VSN.1435.4	1



Format A3

UNI 936-76

		DESIGNED FROM	REVIEW
		FP SERVICES	A
GENERAL TOLERANCE	DESCRIPTION	DATE	WEIGHT
UNI - ISO 2768	CA.SSN.14351818	08/02/2019	0,051kg
CLASSE f		CODE	CA.SSN.14351818